

DUCTILE GATE VALVE RISING STEM OS&Y

Valves are manufactured and tested in accordance with BS EN 1171 PN 10/16 /25, TIS 432 PN 6/10/16 and also meet the requirements of pressure rate class 125/150/250/300, Suitable for all types of water, air and steam.

SIZE:

50 mm - 2400 mm

- IBBM (iron body and bronze mounted), stainless steel trim, and all iron trim is also available.
- Valve ends can be flanged or screwed.
- Flanged drilling to suit ANSI B 16.1, BS EN 1092-2, BS 10, ISO 2531, AS 2129, DIN, JIS, FLANGE ANSI B 16.5 CL. 150/CL.300, and etc.
- Various types of operators such as handwheel, chainwheel, spur gear , bevel gear, pneumatic, hydraulic and electric actuator can be provided upon requested.
- Special accessories like by-pass unit, valve locking device, tapped bosses, drain plug, pipe cover, indicator and limit switches are also available.
- Coating Fusion Bond Epoxy, WET Epoxy and Polyester.



Materials

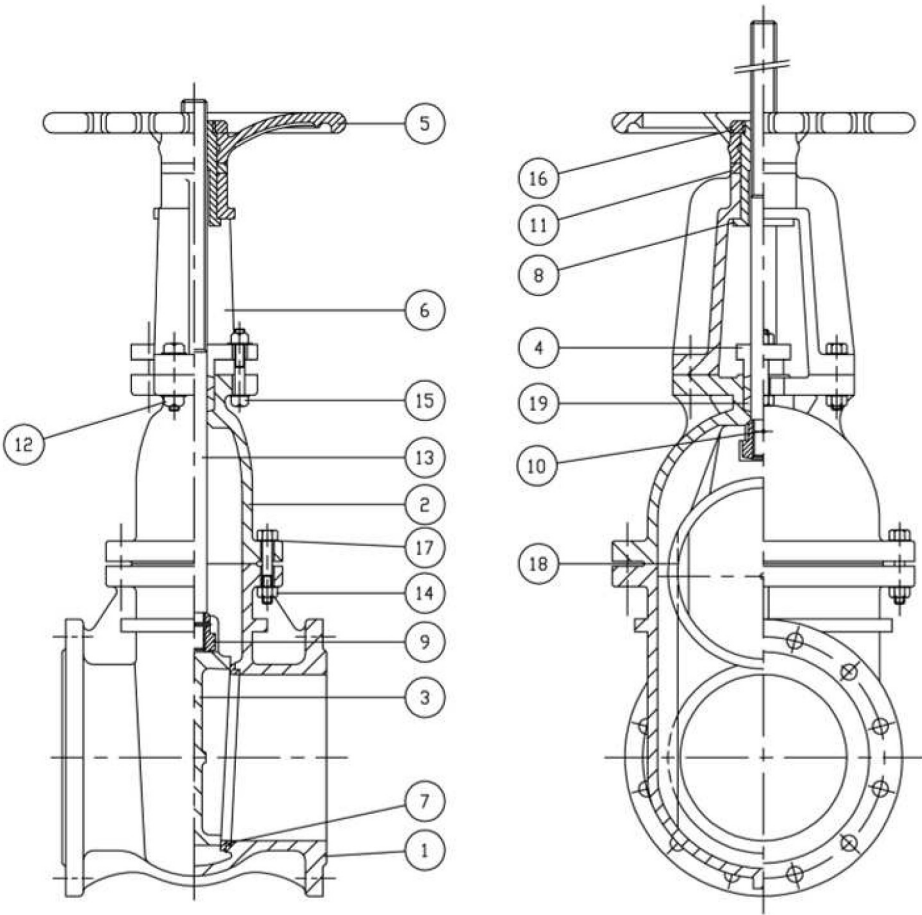


Figure:110

PART NO.	PARTS NAME	MATERIAL	ASTM. DESIGNATION.
1	Body	Ductile Iron	A 536 Gr.65-45-12
2	Bonnet	Ductile Iron	A 536 Gr.65-45-12
3	Disc	Stainless Steel	A 276 Type 410
4	Gland	Ductile Iron	A 536 Gr.65-45-12
5	Hand Wheel	Cast Iron	A 126 Class B
6	Yoke	Ductile Iron	A 536 Gr.65-45-12
7	Body Seat Ring	Stainless Steel	A 276 Type 410
8	Yoke Sleeve	Bronze	B 62
9	Stem Nut	Stainless Steel	A 276 Type 304
10	Pin	Stainless Steel	A 276 Type 304
11	Washer	Brass	B 21
12	Yoke Bolt&Nut	Galvanized Steel	A 307 Grade B
13	Stem	Stainless Steel	A 276 Type 410
14	Bonnet Bolt&Nut	Galvanized Steel	A 307 Grade B
15	Gland Bolt&Nut	Galvanized Steel	A 307 Grade B
16	Hand Wheel Nut	Galvanized Steel	A 307 Grade B
17	Washer	Galvanized Steel	A 307 Grade B
18	Bonnet Gasket	Soft Steel	-
19	Packing	PTFE Impregnated Braided	



Dimensions

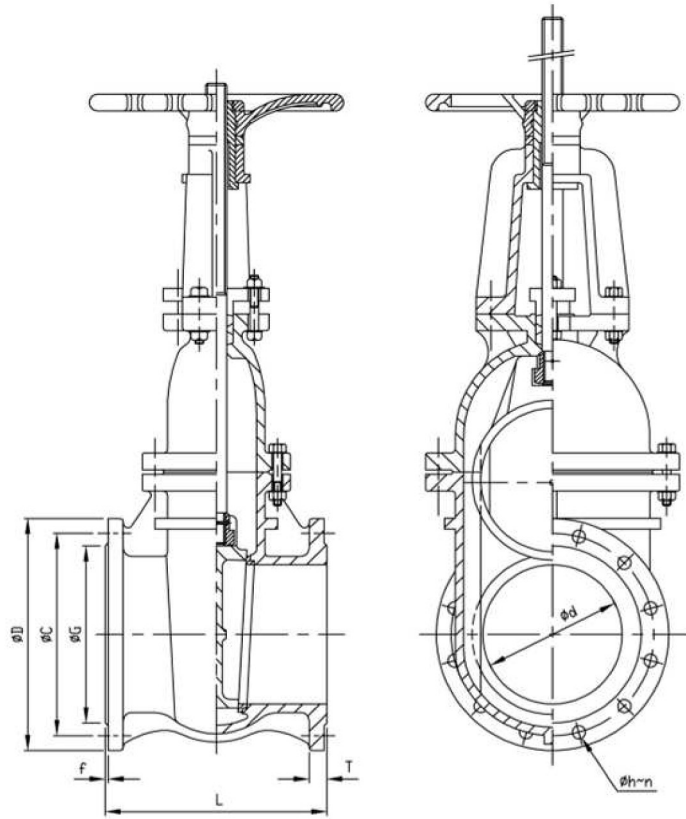


Figure:110

CLASS 150

SIZE	50	65	80	100	150	200	250	300	350	400	450	500	550	600	650	700	750	800	850	900	1050	
Ød	2"	2 1/2"	3"	4"	6"	8"	10"	12"	14"	16"	18"	20"	22"	24"	26	28	30	32	34	36	38	
L	178	190	203	229	267	292	330	356	381	406	432	457	483	508	559	610	610	660	711	711	813	
FLANGED ANSI B16.5 CLASS 150 (INCH)	ØD	6	7	7 1/2	9	11	13 1/2	16	19	21	23 1/2	25	27 1/2	29 1/2	32	34 1/4	36 1/2	38 3/4	41 3/4	43 3/4	46	53
	ØC	4 3/4	5 1/2	6	7 1/2	9 1/2	11 3/4	14 1/4	17	18 3/4	21 1/4	22 3/4	25	27 1/4	29 1/2	31 3/4	34	36	38 1/2	40 1/2	42 3/4	49 1/2
	ØG	3 5/8	4 1/8	5	6 3/16	8 1/2	10 5/8	12 3/4	15	16 1/4	18 1/2	21	23	25 1/4	27 1/4	29 1/4	31 1/4	33 3/4	35 3/4	37 3/4	40 1/4	47
	Øh	3/4	3/4	3/4	3/4	7/8	7/8	1	1	1 1/8	1 1/8	1 1/4	1 1/4	1 3/8	1 3/8	1 3/8	1 3/8	1 3/8	1 5/8	1 5/8	1 5/8	1 5/8
	n	4	4	4	8	8	8	12	12	12	16	16	20	20	20	24	28	28	28	32	32	36
	T	5/8	11/16	3/4	15/16	1	1 1/8	1 3/16	1 1/4	1 3/8	1 7/16	1 9/16	1 11/16	1 13/16	1 7/8	2	2 1/16	2 1/8	2 1/4	2 5/16	2 3/8	2 5/8
	f	1/16	1/16	1/16	1/16	1/16	1/16	1/16	1/16	1/16	1/16	1/16	1/16	1/16	1/16	1/16	1/16	1/16	1/16	1/16	1/16	1/16

CLASS 300

SIZE	50	65	80	100	150	200	250	300	350	400	450	500	600	
Ød	2"	2 1/2"	3"	4"	6"	8"	10"	12"	14"	16"	18"	20"	24"	
L	216	241	283	305	403	419	457	502	762	838	914	991	1143	
FLANGED ANSI B16.5 CLASS 300 (INCH)	ØD	6 1/2	7 1/2	8 1/4	10	12 1/2	15	17 1/2	20 1/2	23	25 1/2	28	30 1/2	
	ØC	5	5 7/8	6 5/8	7 7/8	10 5/8	13	15 1/4	17 3/4	20 1/4	22 1/2	24 3/4	27	
	ØG	3 5/8	4 1/8	5	6 3/16	8 1/2	10 5/8	12 3/4	15	16 1/4	18 1/2	21	23	
	Øh	3/4	7/8	7/8	7/8	7/8	1	1 1/8	1 1/4	1 1/4	1 3/8	1 3/8	1 3/8	1 3/8
	n	8	8	8	8	12	12	16	16	20	20	24	24	24
	T	14/16	1	1 2/16	1 4/16	1 7/16	1 10/16	1 14/16	2	2 2/16	2 4/16	2 6/16	2 8/16	2 12/16
	f	1/16	1/16	1/16	1/16	1/16	1/16	1/16	1/16	1/16	1/16	1/16	1/16	1/16

